

Installation Instructions

Surface Fixed

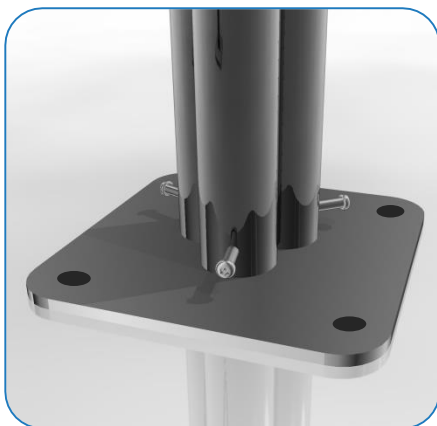
Babel Drum
Page 1 of 2



Instrument
Components:



Metric Conversion:
850mm/ 33 15/32"
855mm/ 33 21/32"
1.5m/ 59"



Weight of heaviest part **17.5kg** (Large Babel Drum)
Weight of heaviest part **13.4kg** (Small Babel Drum)

1. Unpack ground fixing legs
3no.

2. Lay packaging out on floor
or assemble on non-abrasive
surface to prevent marking of
polished stainless steel.

3. Align holes on legs to holes
on surface fixing (opposite
end to polished domes) and
secure in place using 3no.
M10 x 30mm Screws
Tools required TX 45 Driver
Bit)

4. Invert assembled frame so
domed ends face upwards.

5. Place 8mm Hex Key
supplied into hole in leg and
lock into internal bolt.

6. Remove Black Cap
opposite side of leg and
keeping Hex Key in place,
slide black polyurethane
damper over bolt until flush
with end of bolt. Repeat for
other 2 legs

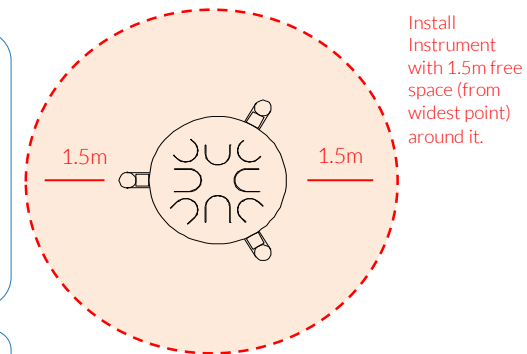
7. Unpack babel drum leaving
black film in place to protect.

8. Align holes in side of babel
drum with bolts on legs.

9. Using 8mm Hex Key screw
bolts into drum to secure in
place.
Use thread locking solution
All hole locations are laser cut
for accuracy to ensure holes
in drum align perfectly with
legs.

10. Using TX40 driver
provided secure M8 x 25mm
security bolts into external
holes in legs 3no. Use thread
lock solution

11. Locate Babel Drum in
desired location and mark
holes to fix to desired surface.



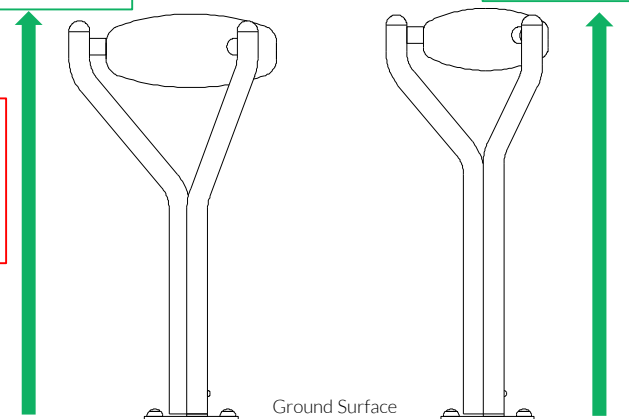
12. Fix to Surface using
recommended ground
anchors (**Ground Anchors are
not supplied**)

13. Make sure all fixings are
covered and secure using
cover caps provided

850mm from Plate

855mm from Plate

CAUTION: Drum
surface can get hot
in direct sunlight, if
possible install in
shaded areas.



Large 8 note

Small 6 note



Ground Fix
Components:



**Ground Anchors
not supplied**

Spares available from
www.musical-play.com or
from your local distributor

22 Kg
13.4 Kg

Assembly Guide PPBDL-S

Tools:

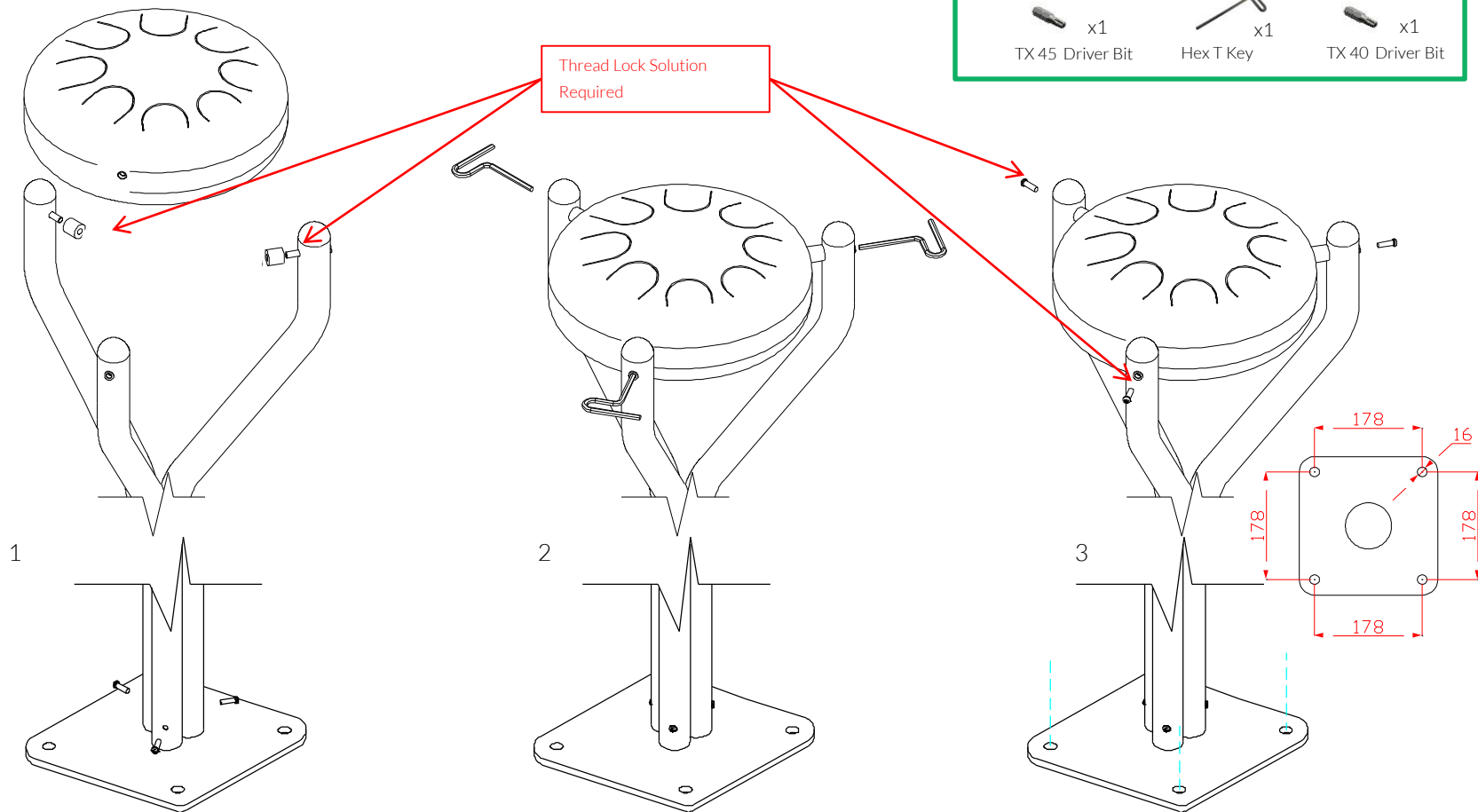
- TX 45 Driver Bit x1
- Hex T Key x1
- TX 40 Driver Bit x1

Surface Fixed

Babel Drum
Page 2 of 2



Instrument Components:



Thread Lock Solution Required

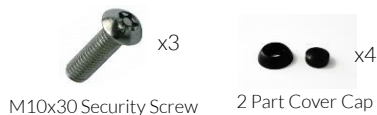
1. Locate the Surface fix Plate into the leg of the instrument.

2. Fix instrument to Surface fix plate using M10 Screws and use **thread locking solution** to prevent fixings working loose.

3. Fix Surface Plate to the ground surface **Ground Anchors Not provided** cover fixings with caps provided



Ground Fix Components:



Ground Anchors not supplied

Spares available from www.musical-play.com or from your local distributor

22 Kg
13.4 Kg