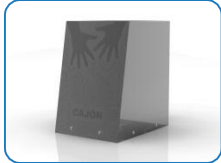


# Installation Instructions

## Ground Fixed

Cajón  
Page 1 of 3



### Instrument Components:



x8

M8x25mm Pin Torx

Metric Conversion:  
200mm/ 8"  
400mm/ 16"  
450mm/ 18"  
1.5m/ 59"



1. Using **M10 nuts and 200mm bolts** supplied locate through pre drilled holes and secure bolts in place to support in ground pole in concrete. ( See Assembly Guide)



2. **Attach Cajón** to ground fix plate and leg using **M8x25mm security screws** provided using thread lock solution not supplied.

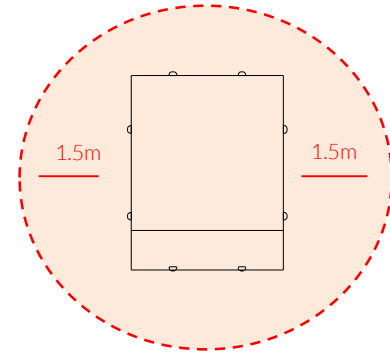


3. **Excavate a hole** for the drum **200mm diameter by 450 deep** in desired location upon decision from customer. (See Ground Fix Post Installation)

4. Locate (lower) leg into hole making sure that the cajón is level on ground surface.

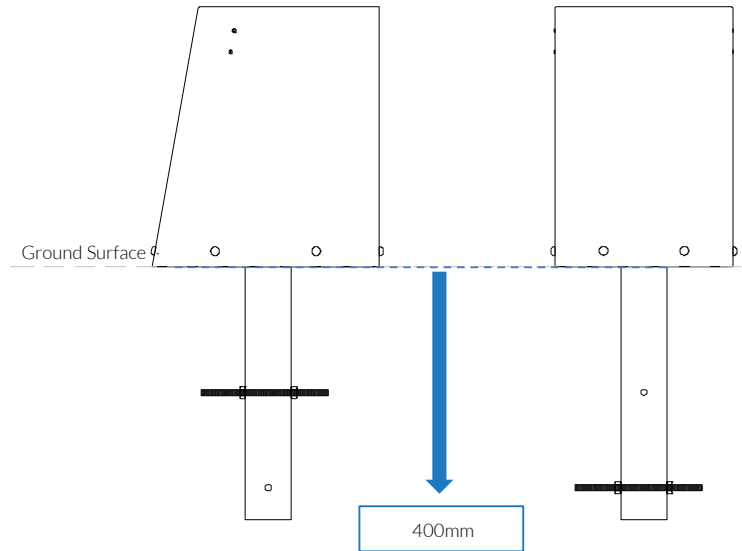
5. Once happy with location of the Drum, **fill** hole using rapid hardening **concrete**. Be sure to compact concrete around legs and leave to dry according to manufactures guidelines.

Weight of heaviest part **18kg** (Cajon Drum)



Install Instrument with 1.5m free space (from widest point) around it.

**CAUTION:** Drum surface can get hot in direct sunlight, if possible install in shaded areas.



Played with hands

### Ground Fix Components:



x2

M10x150 Threaded bar



x4

M10BZP Nut

Spares available from  
[www.musical-play.com](http://www.musical-play.com) or  
from your local distributor

22 Kg

# Assembly Guide Cajón



## Ground Fixed

Cajón  
Page 2 of 3



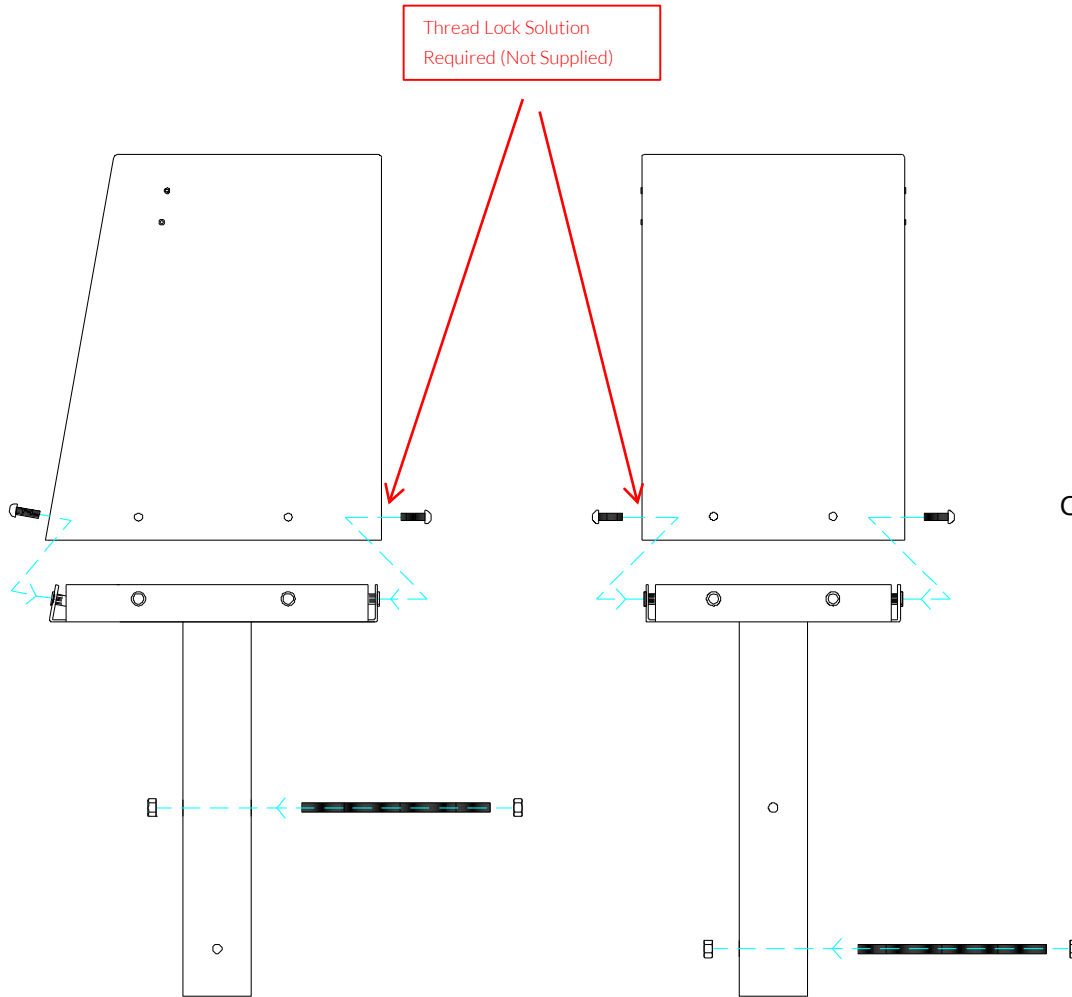
### Instrument Components:



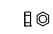


x8  
M8x25mm Pin Torx

**CAUTION:** Drum surface can get hot in direct sunlight, if possible install in shaded areas.

Thread Lock Solution  
Required (Not Supplied)



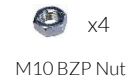
### COMPONENTS LIST:

-  M10 Nut X4
-  M10x200 Threaded Bar X2
-  M8x25 Pin torx X8



Played with hands

### Ground Fix Components:



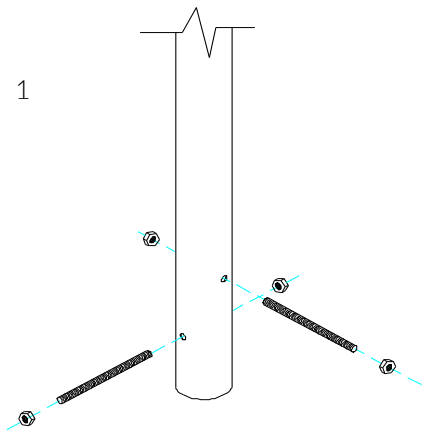
Spares available from  
[www.musical-play.com](http://www.musical-play.com) or  
from your local distributor

22 Kg  
13.4 Kg

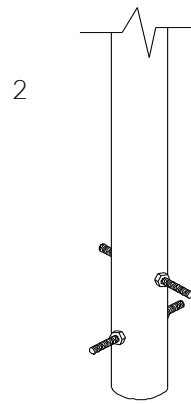
# Ground Fix Post Installation

## Ground Fixed

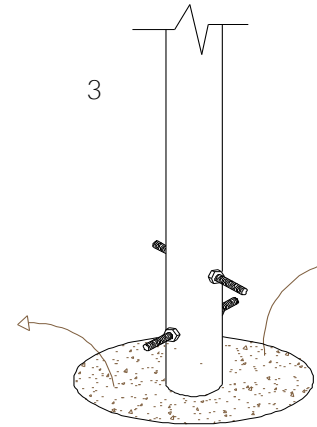
Cajón  
Page 3 of 3



1  
Insert M10x 200 Threaded bar into pre drilled holes in Ground Fixing Post



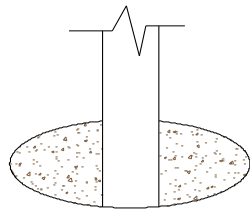
2  
Fix M10x 200 Threaded bar in place using M10 Nuts



3  
Excavate a hole with a 250mm diameter tapering down to 350mm diameter and 450mm depth

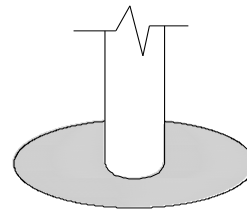
Foundations should not present a hazard. These foundations are recommended as a guide, for more information on foundation details for various surface see Part 7 of BS EN 1176.

4

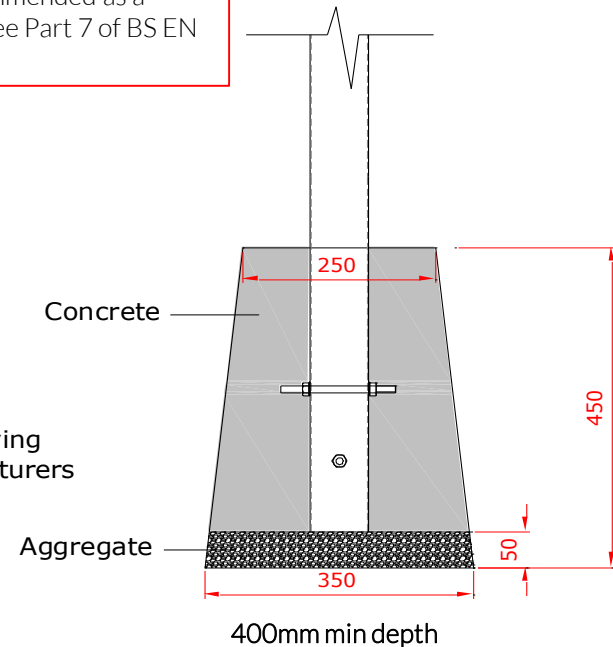


4  
Compact base of hole with 50mm of aggregate. Lower ground Fix post attached of instrument into hole (check instrument straight and level before filling with concrete)

5



5  
Fill hole with fast drying concrete to manufacturers specifications.



### Components:



Metric Conversion:  
50mm/ 2"  
250mm/ 10"  
350mm/ 14"  
400mm/ 16"  
450mm/ 18"

Thread Lock Solution  
Required (Not Supplied)