

Installation Instructions

Wall Fixed

Cavatina
Page 1 of 2



Weight of heaviest part **15kg** (Cavatina)

1. Attach the steel leg to the base of the instrument with the M8 Nyloc Nuts and 2 part security caps. **(1.1)** (See Assembly Guide)

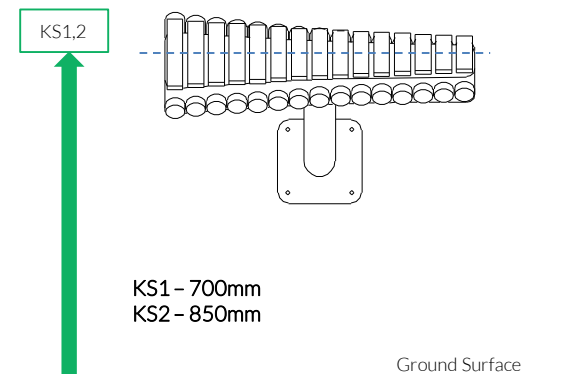
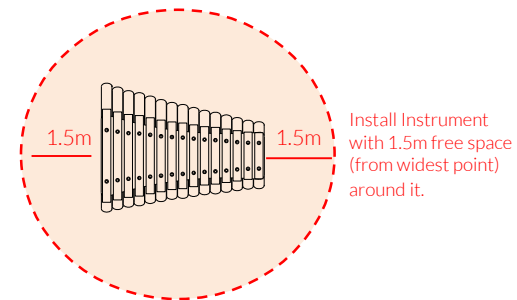
2. Attach Wall Fixing posts to legs **(1.2)** (See Ground Fix Post Installation Sheet)

3. Mark hole locations (X4) using the pre drilled holes in square plate.

4. Drill hole locations (X4) according to your chosen fixings (frame fixings, wall bolts or chemical anchors) depending of the structure of the wall. **(Not Supplied)**

5. Fix through Plate with suitable fixings (not supplied) in correct orientation and height for intended Key stage. Cover Fixings with 2 Part Caps supplied

6. Attach the 1 pair of beater to the saddle strap on the leg. **(1.3)**



Instrument Components:



x4

M8 Nyloc Nut



x2

M6x20 Security Screw



x4

2 Part Cover

Cap



x1

M6 Saddle Strap

Metric

Conversion:

700mm/ 28"

850mm/ 33"

1.5m/ 59"



Pair Small Red
Beaters X1

Wall Fix
Components:



Wall Fixings/ Anchors not
supplied

Spares available from
www.musical-play.com or
from your local distributor

14 Kg

Assembly Guide PPCADE



Tools:



Wall Fixed

Cavatina
Page 2 of 2



Instrument Components:



x4

M8 Nyloc Nut



x2

M6x20 Security Screw



x4

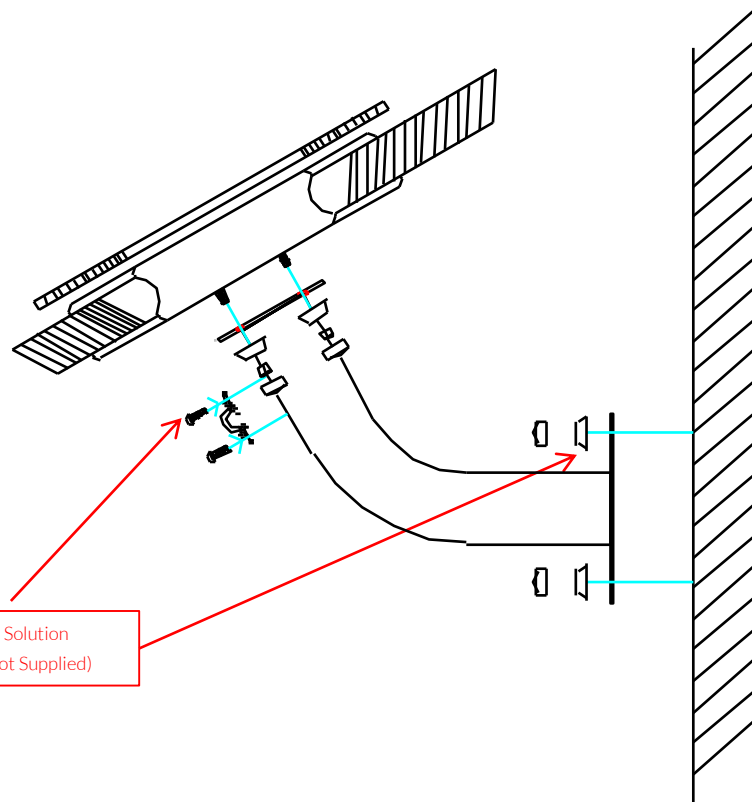
2 Part Cover Cap

M8



x1

M6 Saddle Strap



COMPONENTS LIST:



M8 2 Part Cover Cap X4



M12 2 Part Cover Cap X4



M8 Nyloc nut X4



Saddle Strap X1



M6x20 Pin torx X2

Thread Lock Solution
Required (Not Supplied)



Pair Small Red
Beaters X1

Wall Fix
Components:

 x4
2 Part Cover Cap M12

Wall Fixings/ Anchors
not supplied

Spares available from
www.musical-play.com or
from your local distributor

14 Kg