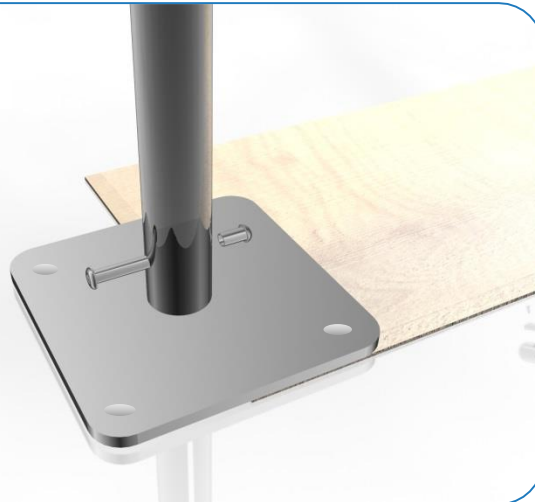


Installation Instructions

(1.1)



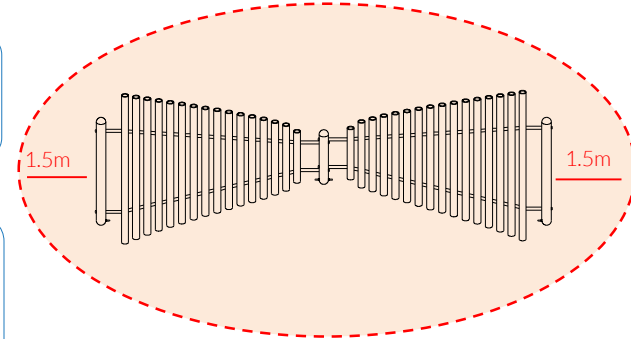
1. Attach Surface Plates to base of each leg. (1.1) (See Assembly Guide)

2. Use wooden jig to mark out hole positions for each of the 3 legs in desired location upon decision from customer. . .

3. Fix to Surface using recommended ground anchors (**Ground Anchors are not supplied**)

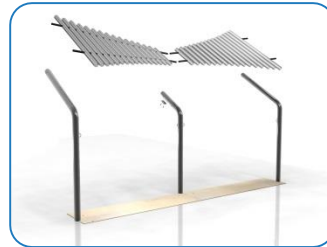
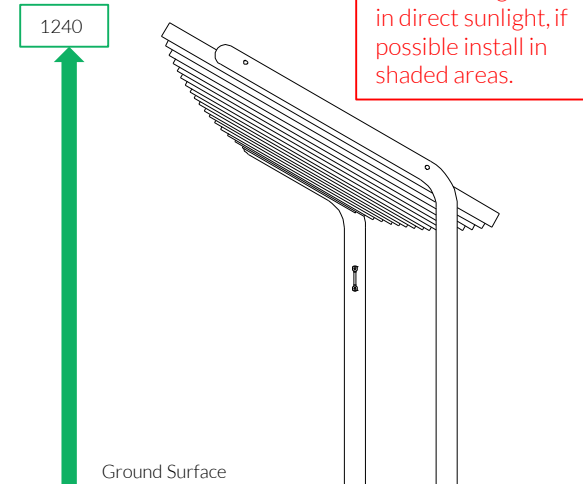
4. Make sure all fixings are covered and secure using cover caps provided

5. Once frame fixed in place install notes using Fixings provided. Finally install beaters using fixings provided. (See Assembly Guide)



Install Instrument with 1.5m free space (from widest point) around it.

CAUTION: Papilio surface can get hot in direct sunlight, if possible install in shaded areas.



Weight of heaviest part **13kg** (Notes)

Surface Fixed

Papilio Bells
Page 1 of 2



Instrument Components:

x4

M8 Barrel Nuts

x4

Eye Straps

x8

M6x20mm Secure Screw

x4

M8 Square Nut

x4

M6x12mm Secure Screw

x4

M8 Nyloc Nut

Metric Conversion:
250mm/ 10"
550mm/ 22"
1240mm/ 49"
1.5m/ 59"



Pair Small Red Beaters X2

Surface Fix Components:

x3

x3

x12

Ground Anchors not supplied

Spares available from www.musical-play.com or from your local distributor

36 Kg

Assembly Guide PPBUTR

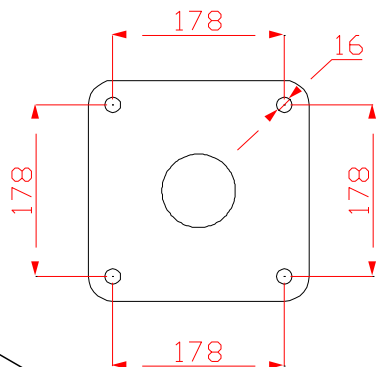
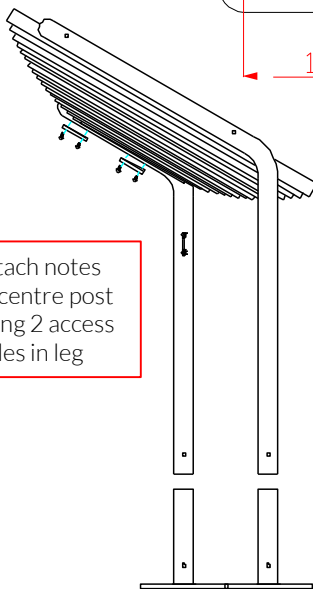


Surface Fixed

Papilio Bells
Page 2 of 2



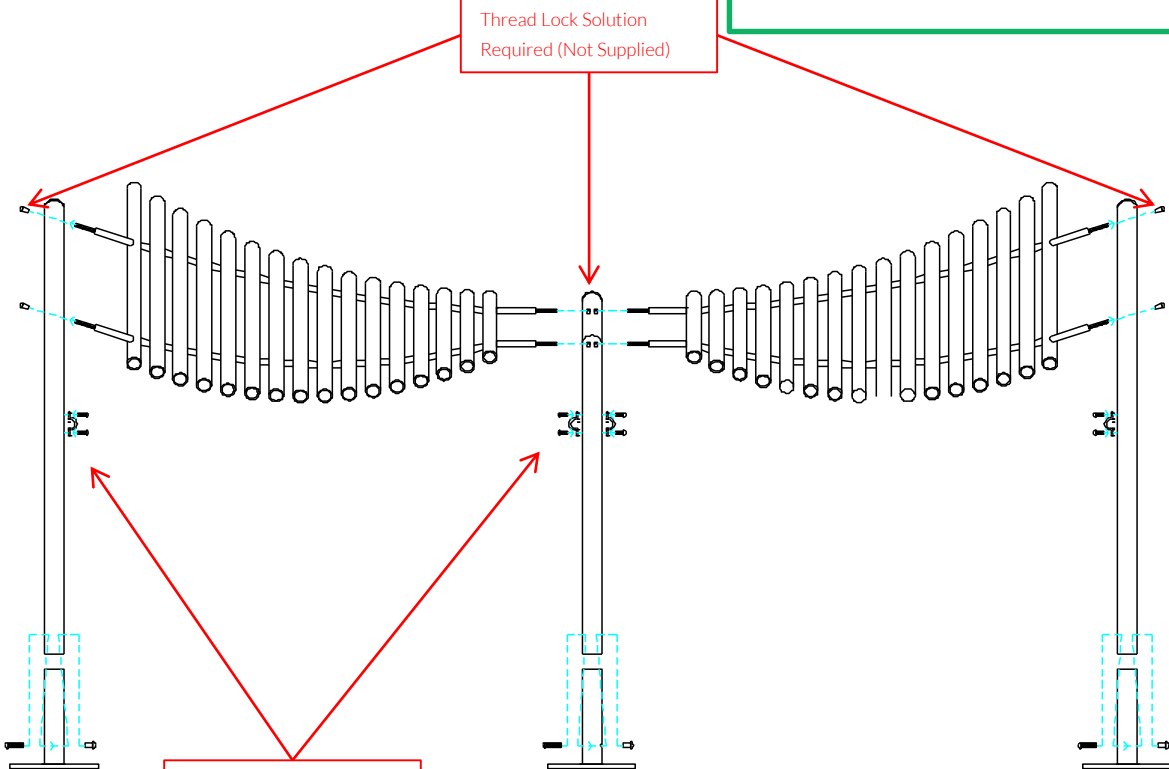
Attach notes to centre post using 2 access holes in leg



Tools:

- TX 30 Driver Bit x1
- TX 40 Driver Bit x1
- TX 45 Driver Bit x2

Thread Lock Solution Required (Not Supplied)



Thread Lock Solution Required (Not Supplied)

CAUTION: Papilio Bells surface can get hot in direct sunlight, if possible install in shaded areas.

COMPONENTS LIST:

- M10 Barrel Nut Pin torx X2
- Saddle Strap X4
- M6x20 Pin torx X8
- M8 Barrel Nut Pin torx X4
- M8 Nyloc nut X4
- M6x12 Pin torx X4
- 2 Part Cover Cap X12
- M10x40 Pin torx X3

Instrument Components:

- M8 Barrel Nuts x4
- Eye Straps x4
- M6x20mm Secure Screw x8
- M8 Square Nut x4
- M6x12mm Secure Screw x4
- M8 Nyloc Nut x4

Thread Lock Solution Required (Not Supplied)

Surface Fix Components:

- M10x40 Security Screw x3
- M10 Barrel Nut x3
- 2 Part Cover Cap x12

Ground Anchors not supplied

Spares available from www.musical-play.com or from your local distributor

15 Kg