

Installation Instructions

Surface Fixed Rainbow Chime Post Page 1 of 3



Instrument Components:

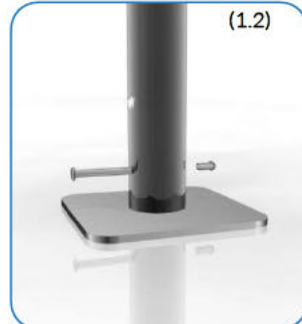
 x4
M6x20 Security Screw

 x2
M6 Saddle Strap

Metric Conversion:
1155mm/45.5"
1.5m/59"



Weight of heaviest part 7.5kg



1. Instrument will arrive on site fully assembled. (1.1)
(See Assembly Guide)

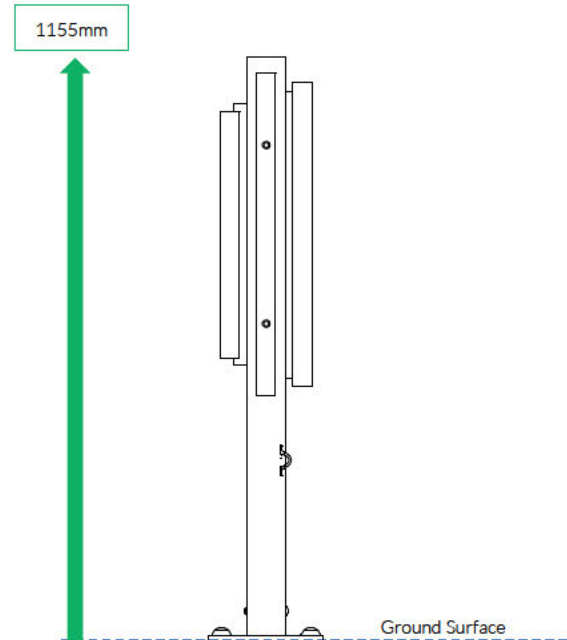
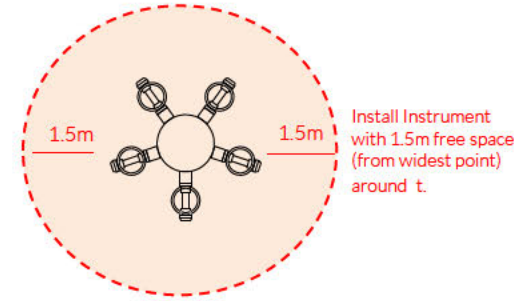
2. Attach Surface Fixing posts to legs (1.2) (See Ground Fix Post Installation Sheet)

3. Locate Plate in desired location and mark holes to fix to desired surface.

4. Fix to Surface using recommended ground anchors not supplied

5. Make sure all fixings are covered and secure using cover caps provided


6. Attach the 1 pair of beater to the saddle strap on each side of the post. (1.3)



Pair Small Red Beaters X1

Surface Fix Components:

 x1
M10x70 Security Screw

 x1
M10 Barrel Nut

Spares available from
www.musical-play.com or
from your local distributor

7.5 Kg

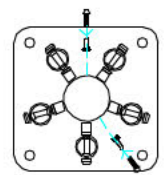
Assembly Guide PPRCHP



Tools:

 x1
TX 30 Driver Bit

 x2
TX 45 Driver Bit



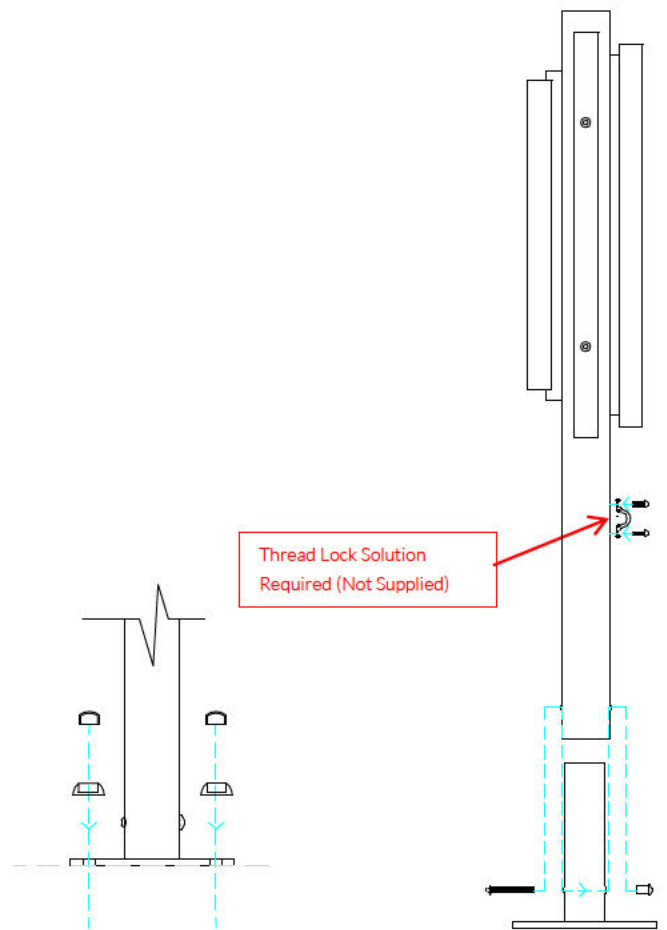
Surface Fixed
Rainbow Chime Post
Page 2 of 3



Instrument Components:


-  x4
M6x20 Security Screw
-  x2
M6 Saddle Strap

Thread Lock Solution
Required (Not Supplied)





COMPONENTS LIST:

-  2 Part Cover Cap X4
-  Saddle Strap X2
-  M6x20 Pin torx X4
-  M10x70 Pin torx X1
-  M10 Barrel Nut Pin torx X1

 Pair Small Red Beaters X1

Surface Fix Components:

-  x1
M10x70 Security Screw
-  x1
M10 Barrel Nut

Spares available from
www.musical-play.com or
from your local distributor

13.5 Kg

Ground Fix Post Installation

Surface Fixed Rainbow Chime Post Page 3 of 3



Components:



x1

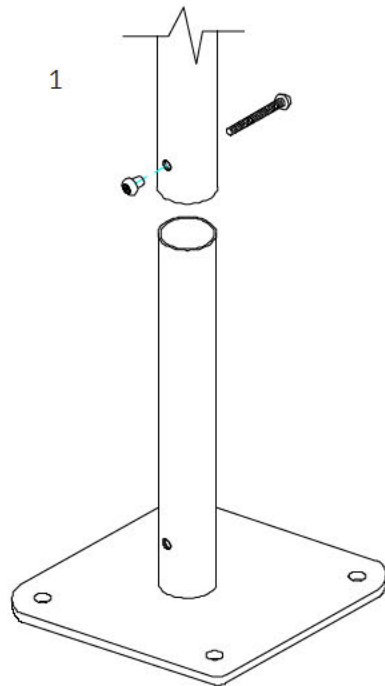
M10 Barrel Nut



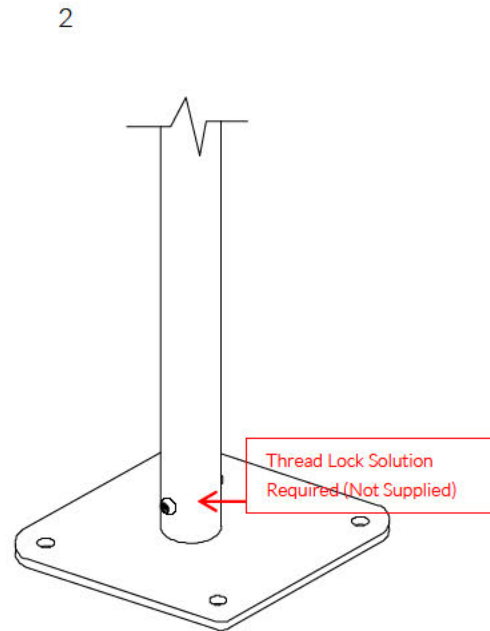
x1

M10x70 Security Screw

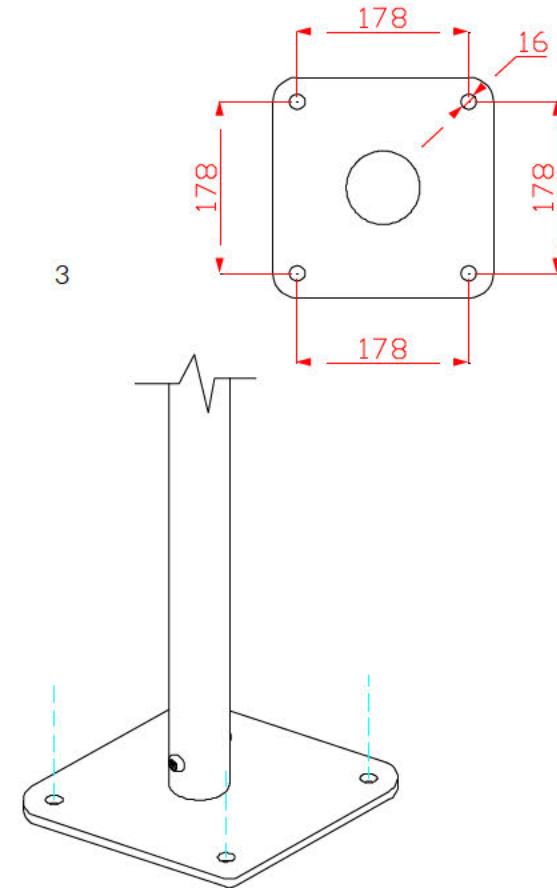
Thread Lock Solution
Required (Not Supplied)



1
Locate the Surface fix Plate into the leg of the instrument.



Fix instrument to Surface fix plate using M10 bolt and Barrel Nut and use **thread locking solution** to prevent fixings working loose.



Fix Surface Plate to the ground surface **Ground Anchors Not provided** cover fixings with caps provided