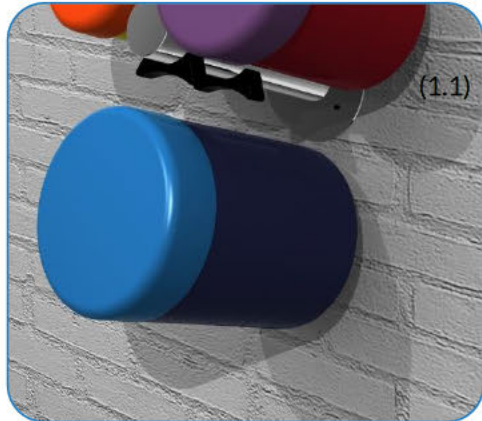


Installation Instructions

Wall Mounted

Rainbow Trio
Bongos
1 of 2



1. Attach bongos to wall mount with the M10x50 security screws, square washers and PU mounts. (1.1) (See Assembly Guide)

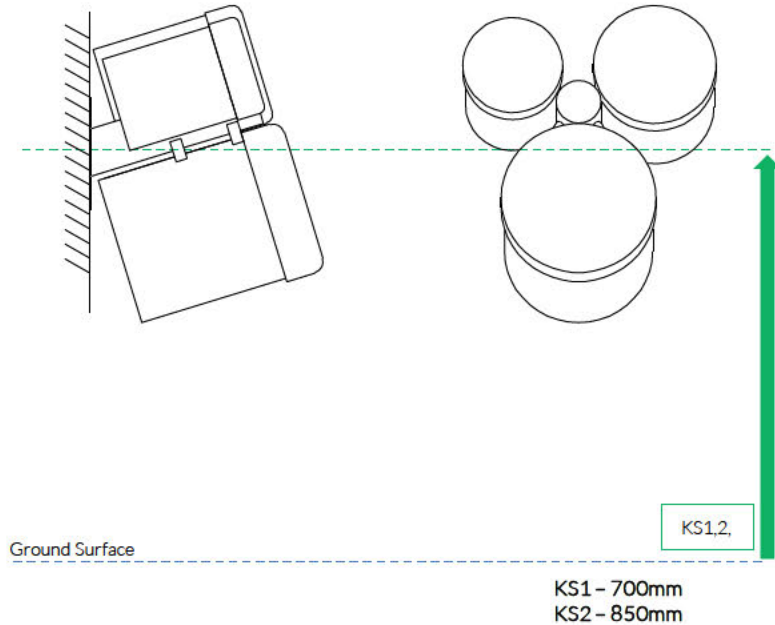
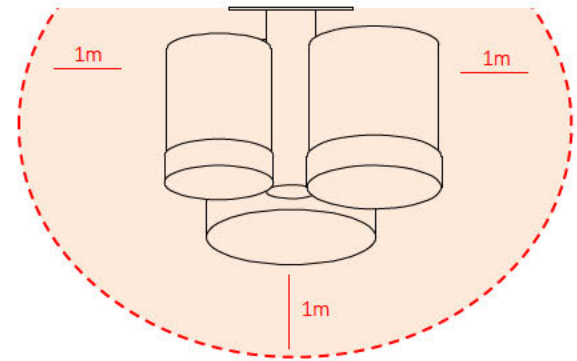
2. Position Bongos in desired location, according to correct Key stage height, this may require 2 persons.

3. Mark hole locations (X3) on Using mount plate as a guide, making sure instrument is level. Use Template supplied





4. Drill hole locations (X3) according to your chosen fixings (frame fixings, wall bolts or chemical anchors) depending of the structure of the wall.

5. Fix through Plate (X3) with suitable fixings (not supplied) in correct orientation and Key stage

Install Instrument with 1m free space (from widest point) around t.



Instrument Components:

-  x6
-  x6
-  x4
-  x2

Metric Conversion:
700mm/ 28"
850mm/ 33"
1m/ 39"

Weight of heaviest part 7 kg (bongos)



Played with hands

Wall Fix
Components:



2 Part Cover Cap

Wall Anchors not
supplied

7 Kg

Assembly Guide RTBONG

Tools:

 x1
TX 45 Driver Bit

Wall Mounted

Rainbow Trio
Bongos
2 of 2



Instrument
Components:



x6

M10x50 Security Screw



x6

M10x50x3 Square washer



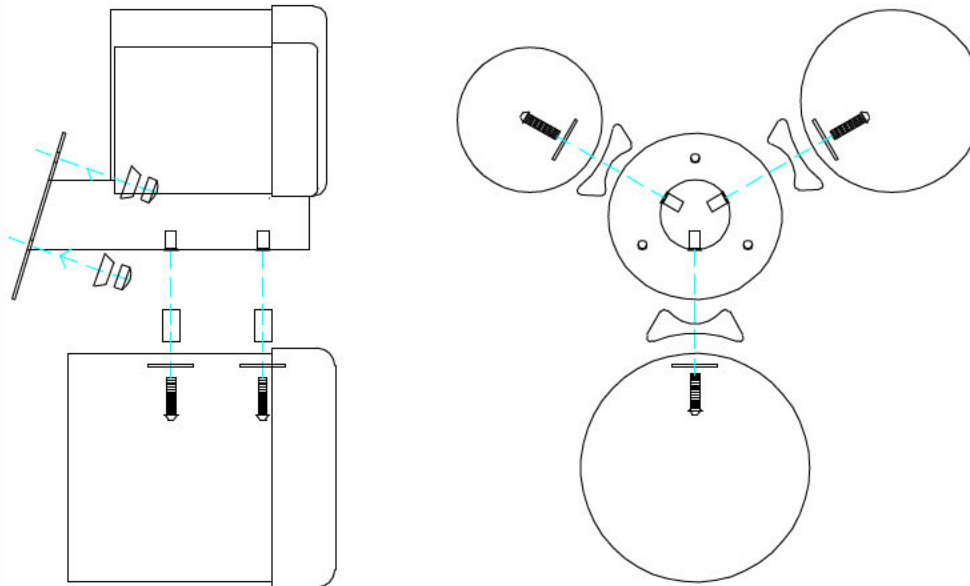
x4

PU 200 Mount



x2

PU 250 Mount



COMPONENTS LIST:



M10x50 Pin torx X6



M10x50x3 square washer X6



HDPE MOUNT 200 X4



HDPE MOUNT 250 X2



2 Part Cover Cap X3



Played with hands

Wall fixings are not supplied, installer will select suitable method of fixing. Suggested Fixing M8-M10 Rawl Bolt



7 Kg

Installation Instructions



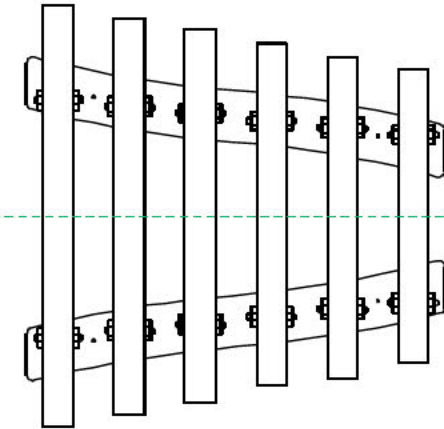
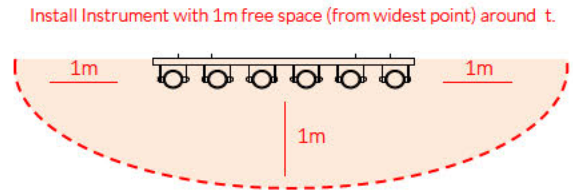
1. Position chimes in desired location, according to correct Key stage height, this may require 2 persons.

2. Mark hole locations (X4) on backboard between 1st and 2nd notes at each end, making sure instrument is level.

3. Drill hole locations (X4) according to your chosen fixings (frame fixings, wall bolts or chemical anchors) depending of the structure of the wall.

4. Fix through Backboards (X4) with suitable fixings (not supplied) in correct orientation and Key stage

5. Beaters can be fixed to Backboards or directly to wall depending on customers preference.



Ground Surface

KS1,2

KS1 – 700mm
KS2 – 850mm



Weight of heaviest part 8 kg (chimes)

Wall Fixed Rainbow Trio Chimes



Components:



Eye Straps
X2



Pin Torx 25
Driver Bit X1



10x38mm
Secure Screw
X4

Metric Conversion:
700mm/ 28"
850mm/ 33"
1m/ 39"



Pair Small/Large
Beaters X1

Wall fixings are not supplied, installer will select suitable method of fixing.

8 Kg

Installation Instructions



Weight of heaviest part 7kg (Metallophone)

1. Attach the steel mount to the rear of the instrument with the M8 x20 screws and 2 part security caps. (1.1) (See Assembly Guide)

2. Position instrument in desired location, according to correct Key stage height, this may require 2 persons.

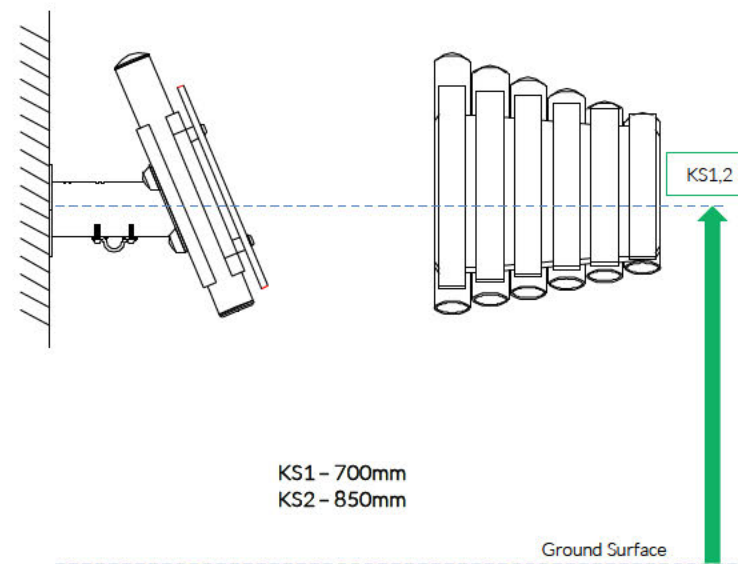
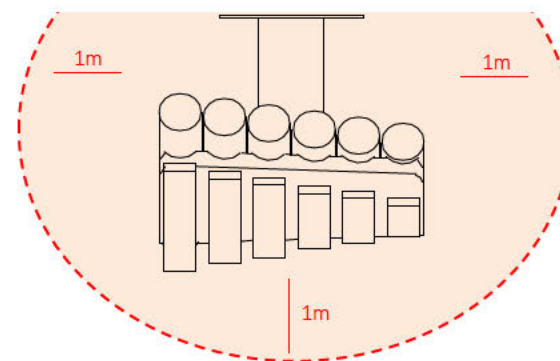
3. Mark hole locations (X4) using the pre drilled holes in square plate. Use Template Supplied.

4. Drill hole locations (X4) according to your chosen fixings (frame fixings, wall bolts or chemical anchors) depending of the structure of the wall. (Not Supplied)

5. Fix through Plate with suitable fixings (not supplied) in correct orientation and height for intended Key stage. Cover Fixings with 2 Part Caps supplied

6. Attach the 1 pair of beater to the saddle strap on the leg. (1.3)

Install Instrument with 1m free space (from widest point) around it.



KS1 – 700mm
KS2 – 850mm

Ground Surface


Wall Fixed Rainbow Trio Metallophone Page 1 of 2



Instrument Components:

 x4
M8x20 Security Screw

 x2
M6x20 Security Screw

 x4
2 Part Cover
Cap

 x1
M6 Saddle Strap

Metric Conversion:
700mm/ 28"
850mm/ 33"
1m/ 39"



Pair Small Red
Beaters X1

Wall Fix
Components:

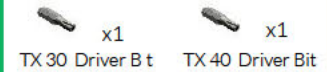


x4
2 Part Cover Cap

Wall Anchors not
supplied

7 Kg

Tools:

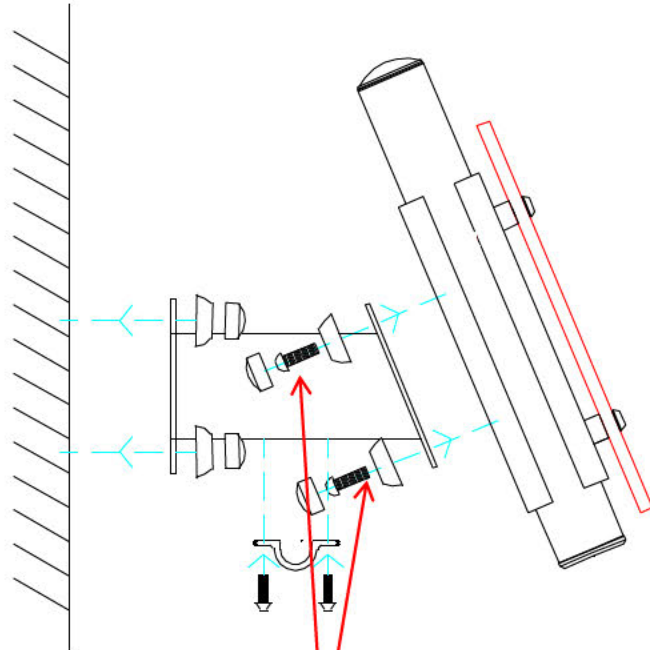


Wall Fixed
Rainbow Trio
Metallophone
Page 2 of 2



Instrument
Components:

-  x4
M8x20 Security Screw
-  x2
M6x20 Security Screw
-  x4
2 Part Cover Cap
-  x1
M6 Saddle Strap



Thread Lock Solution
Required (Not Supplied)

COMPONENTS LIST:



2 Part Cover Cap X8



M8 Nyloc nut X4



Saddle Strap X1



M6x20 Pin torx X2



M8x20 Pin torx X4

Thread Lock Solution
Required (Not Supplied)



Pair Small Red
Beaters X1

Wall fixings are not supplied, installer will select suitable method of fixing. Suggested Fixing M8-M10 Rawl Bolt



7 Kg